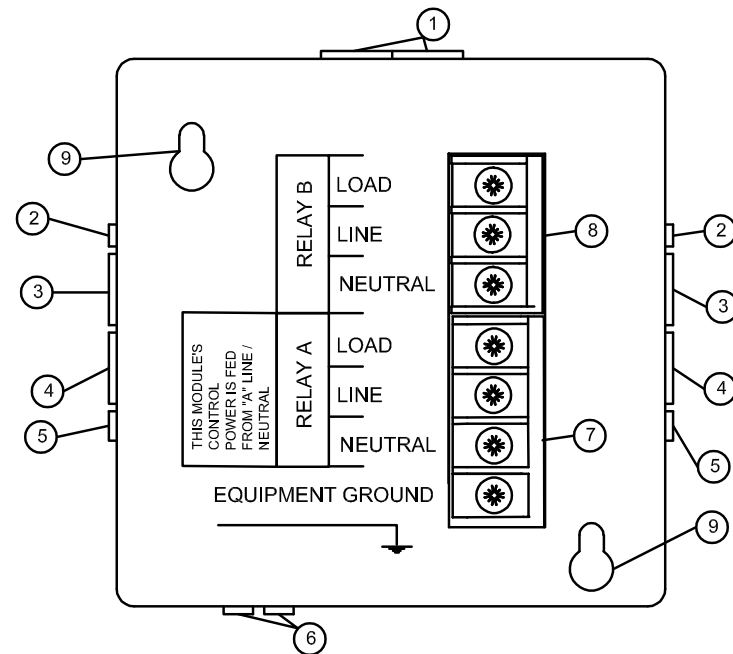
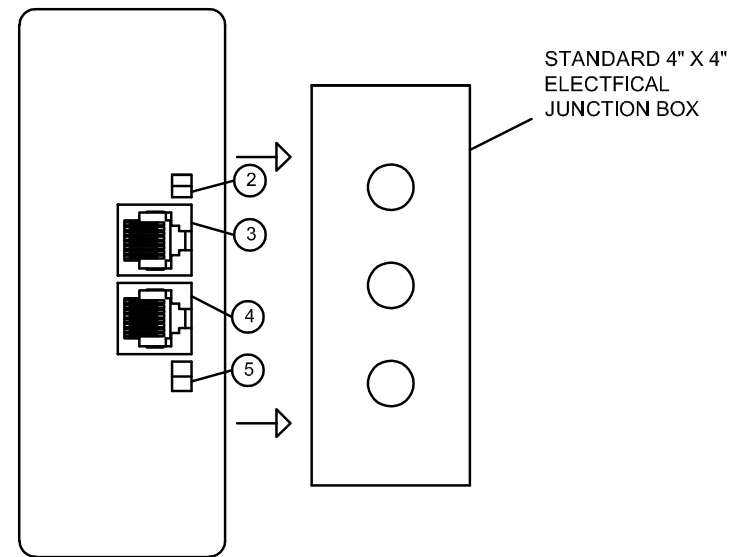


ROOM MANAGER - FRONT VIEW

1. **ETHERNET PORTS:** TWO ETHERNET PORTS ARE AVAILABLE FOR DAISY-CHAINED NETWORK INTERFACING. NETWORK CONNECTIVITY ALLOWS FOR SYSTEM TIMECLOCK/SCHEDULING AND OVERRIDE CONTROL.
2. **DIGITAL INPUT PORTS:** DIGITAL INPUTS PROVIDE ON/OFF INTERFACING WITH DEVICES THAT SUPPLY A DRY SET OF CONTACTS. NO EXTERNAL POWER IS REQUIRED, AND EACH PORT CAN BE PROGRAMMED AS A MULTI-STATE INPUT (UP TO FIVE STATES PER PORT - I.E. FOR A SEQUENCE LIKE: OFF, LOW, MEDIUM, HIGH). "A" PORT IS FOR "ROOM A" AND THE "B" PORT IS FOR "ROOM B" WHEN DUAL ROOM CONTROL IS SELECTED. ALL DIGITAL INPUT PORTS AUTOMATICALLY COMBINE WHEN SINGLE ROOM CONTROL IS SELECTED.
3. **SMART BUS PORTS:** SMART BUS PORTS ARE AVAILABLE TO INTERFACE WITH TOUCHÉ'S "SMART DEVICES". A TYPICAL APPLICATION IS THE SMAOS (SMART AMBIENT/OCCUPANCY SENSOR). SMART DEVICES ARE DAISY-CHAINED BACK TO THE AVAILABLE SMART PORT. "A" PORT IS FOR "ROOM A" AND THE "B" PORT IS FOR "ROOM B" WHEN DUAL ROOM CONTROL IS SELECTED. ALL SMART PORTS AUTOMATICALLY COMBINE WHEN SINGLE ROOM CONTROL IS SELECTED.
4. **BRANCH PORTS:** BRANCH PORTS ARE AVAILABLE TO INTERFACE WITH TOUCHÉ'S "BRANCH DEVICES". BRANCH DEVICES INCLUDE LOCAL RELAY/DIMMING MODULES (LRM) AND WALL STATIONS (SW-TS/WS-TS-C). BRANCH DEVICES ARE DAISY-CHAINED BACK TO THE AVAILABLE BRANCH PORT. "A" PORT IS FOR "ROOM A" AND THE "B" PORT IS FOR "ROOM B" WHEN DUAL ROOM CONTROL IS SELECTED. ALL BRANCH PORTS AUTOMATICALLY COMBINE WHEN SINGLE ROOM CONTROL IS SELECTED.
5. **DIGITAL OUTPUT PORTS:** DIGITAL OUTPUTS PROVIDE ON/OFF INTERFACING THIRD PARTY EQUIPMENT. DIGITAL OUTPUTS ARE NO DRY CONTACTS, AND EACH PORT CAN BE PROGRAMMED AS AN OCCUPANCY FOLLOWER (FOR HVAC INTERFACING) OR A CUSTOM PROGRAMMED OUTPUT. "A" PORT IS FOR "ROOM A" AND THE "B" PORT IS FOR "ROOM B" WHEN DUAL ROOM CONTROL IS SELECTED. ALL DIGITAL OUTPUT PORTS AUTOMATICALLY COMBINE WHEN SINGLE ROOM CONTROL IS SELECTED.
6. **DIMMER PORTS:** DIMMER PORTS ARE 0-10V DIMMABLE OUTPUT PORTS FOR INTERFACING WITH 4-WIRE DIMMABLE LIGHT FIXTURES. "A" PORT WORKS IN CONJUNCTION WITH THE ON-BOARD "A" RELAY. "B" PORT WORKS WITH THE ON-BOARD "B" RELAY.
7. **RELAY A LINE/LOAD TERMINATIONS:** LINE, LOAD, AND NEUTRAL TERMINATIONS FOR THE "A" ZONE RELAY. NOTE, POWER FOR THE ROOM MANAGER IS DERIVED FROM THIS TERMINAL. CONSTANT POWER MUST BE APPLIED TO THIS TERMINAL FOR DEVICE OPERATION.
8. **RELAY B LINE/LOAD TERMINATIONS:** LINE, LOAD, AND NEUTRAL TERMINATIONS FOR THE "B" ZONE RELAY.
9. **MOUNTING SLOTS:** ROOM MANAGER IS DESIGNED TO MOUNT TO A STANDARD 4"X4" ELECTRICAL JUNCTION BOX. LINE VOLTAGE TERMINATIONS (SEE NOTES 6 AND 7) WILL RESIDE WITHIN THE ELECTRICAL JUNCTION BOX.



ROOM MANAGER - BACK VIEW



ROOM MANAGER - SIDEVIEW

**ROOM MANAGER
INSTALLATION INSTRUCTIONS**

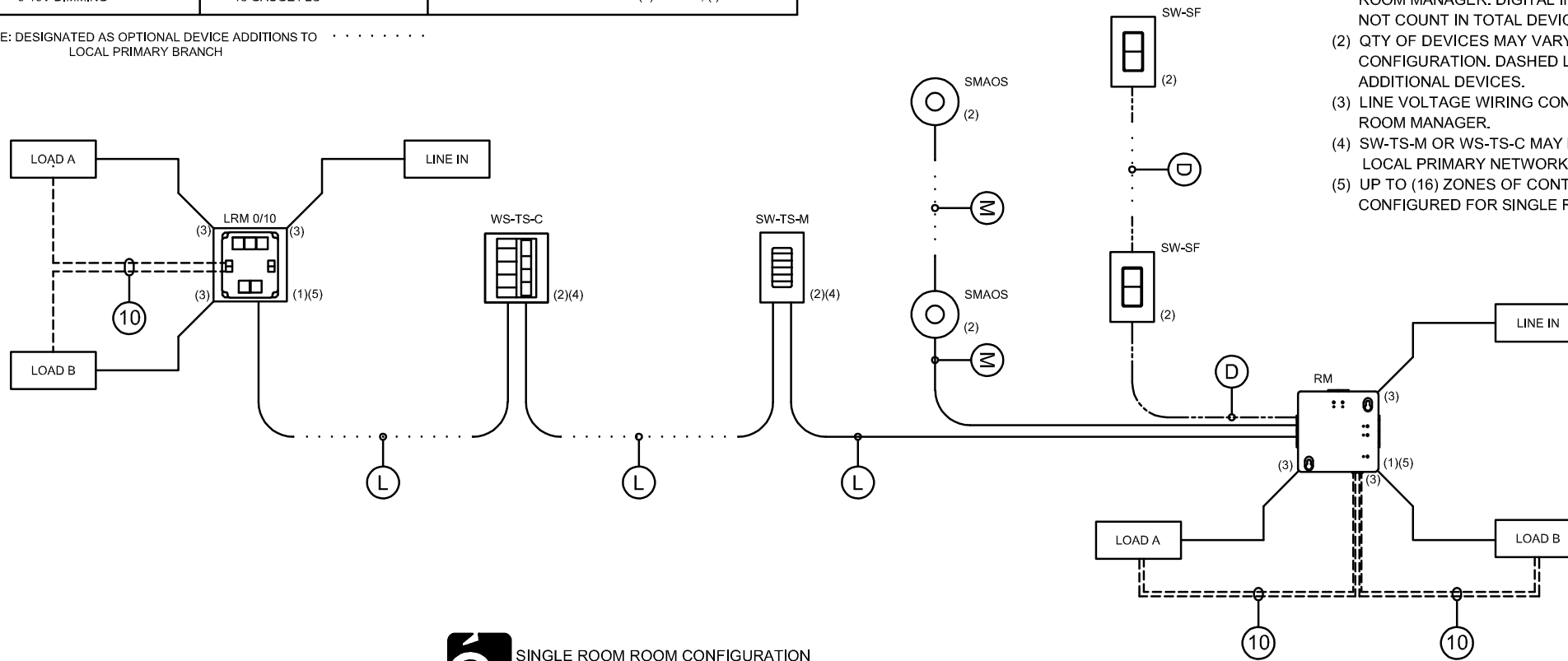
www.touchecontrols.com
phone: 1-888-841-4356

Touché
LIGHTING CONTROL

CABLE TYPE SCHEDULE

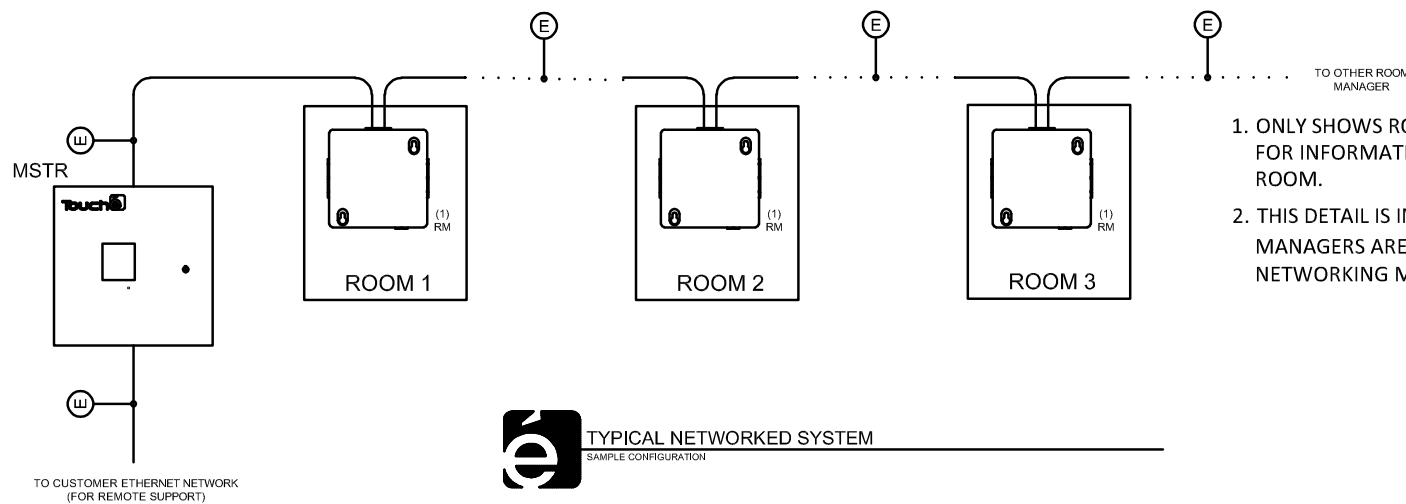
ID	DESCRIPTION	TYPE	NOTES
E	ETHERNET	CAT 5 (MIN)	MAXIMUM SEGMENT LENGTH IS 100 METERS (300').
L	LOCAL PRIMARY NETWORK	CAT 5 (MIN)	TOTAL LOCAL BRANCH LENGTH NOT TO EXCEED 1000'
M	SMART BUS NETWORK	CAT 5 (MIN)	TOTAL SMART BUS LENGTH NOT TO EXCEED 400' (BOOSTER NOT PERMITTED)
D	DIGITAL INPUT CABLE	18 GAUGE / 2C	
10	0-10V DIMMING	18 GAUGE / 2C	CONDUCTOR COLOR CODE: (+) VIOLET, (-) GRAY

NOTE: DESIGNATED AS OPTIONAL DEVICE ADDITIONS TO LOCAL PRIMARY BRANCH



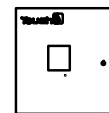
e SINGLE ROOM ROOM CONFIGURATION
SAMPLE CONFIGURATION

- (1) UP TO 20 DEVICES CAN BE CONNECTED TO A SINGLE ROOM MANAGER. DIGITAL INPUT DEVICES (SW-SF) DO NOT COUNT IN TOTAL DEVICE QUANTITY.
- (2) QTY OF DEVICES MAY VARY DUE TO ROOM SIZE AND CONFIGURATION. DASHED LINE SHOWN WHEN CONNECTING ADDITIONAL DEVICES.
- (3) LINE VOLTAGE WIRING CONNECTED ON BACK SIDE OF ROOM MANAGER.
- (4) SW-TS-M OR WS-TS-C MAY BE INTERCHANGED ON THE LOCAL PRIMARY NETWORK.
- (5) UP TO (16) ZONES OF CONTROL WHEN ROOM MANAGER IS CONFIGURED FOR SINGLE ROOM CONTROL.



e TYPICAL NETWORKED SYSTEM
SAMPLE CONFIGURATION

1. ONLY SHOWS ROOM MANAGER FOR CLARITY. SEE ABOVE DETAILS FOR INFORMATION CONCERNING CONNECTIVITY OF DEVICES WITHIN ROOM.
2. THIS DETAIL IS INTENDED TO PROVIDE AN OVERVIEW OF HOW ROOM MANAGERS ARE CONNECTED IN A TOUCHÉ NETWORKED SOLUTION. NETWORKING MAY NOT BE REQUIRED FOR YOUR APPLICATION.



PAGE ID: MSTR
DESCRIPTION: MASTER INTERFACE
PRODUCT ID: MSTR-DVOLT-S2



PAGE ID: SW-SF
DESCRIPTION: MOMENTARY SWITCH
PRODUCT ID: SW-SF-XXX



PAGE ID: SW-TS-M
DESCRIPTION: MONOCHROME TOUCH SCREEN
PRODUCT ID: SW-TS-M



PAGE ID: WS-TS-C
DESCRIPTION: COLOR WALL STATION
PRODUCT ID: WS-TS-C-XXX



PAGE ID: SMAOS
DESCRIPTION: SMAOS CEILING SENSOR
PRODUCT ID: SMAOS-(D/P)-360-(L/H)-(F/S)-W



PAGE ID: LRM 0/10
DESCRIPTION: LOCAL RELAY MODULE
PRODUCT ID: LRM-2P-120/347-0/10



PAGE ID: RM
DESCRIPTION: ROOM MANAGER
PRODUCT ID: RM

ROOM MANAGER INSTALLATION INSTRUCTIONS

www.touchecontrols.com
phone: 1-888-841-4356

Touché

LIGHTING CONTROL