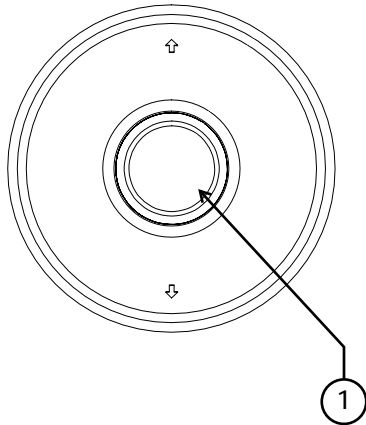
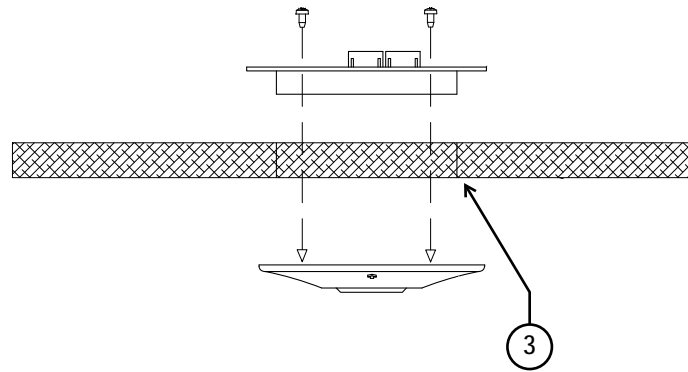


**FRONT OF OCCUPANCY SENSOR**



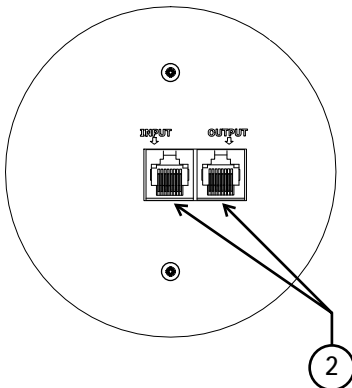
**RECESSED MOUNTING**



**TIPS / NOTES**

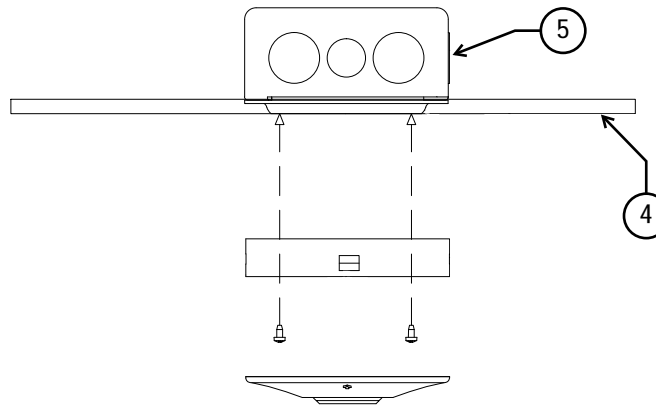
1. PIR FRESNEL LENS AND LED INDICATOR (SEE BELOW FOR LED INDICATION)
2. SMART PORTS - MINIMUM CAT 5 CABLE - DO NOT CONNECT TO BRANCH PORTS
3. ACOUSTICAL CEILING TILE - 1/2" TO 3/4" - CUT OUT SIZE IS 3-1/4" DIAMETER
4. DRYWALL OR OTHER PERMANENT HARD SURFACE
5. STANDARD 4 SQUARE ELECTRICAL BOX OR OCTAGON BOX WITH CIRCLE MUD RING

**BACK OF OCCUPANCY SENSOR**



NOTE: LABELED INPUT AND OUTPUT PORTS ARE FOR CABLE IDENTIFICATION ONLY - PORTS ARE ELECTRICALLY IDENTICAL & CAN BE INTERCHANGED.

**FLUSH MOUNTING**



**LED INDICATION**

1. RED = CONNECTED TO PRIMARY BRANCH. MOVE CABLE TO SMART BRANCH
2. OFF = NO POWER TO OCC. CHECK SMART BUS CABLING

### CONNECTIVITY DIAGRAM

#### COMPONENT LIST

1. MSTR-DVOLT-2 (DOOR OPEN)
2. SBB1
3. LRM OR LIM
4. RD PANEL
5. SW-TS-M
6. SMOAS
7. TSUI
8. RM
9. WS-TS-C
10. SS-2B
11. SS-SF

#### CABLE LEGEND

- = éNET (CAT5)
- = BRANCH NETWORK (CAT 5)
- = SMART NETWORK (CAT 5)
- = 16/2 POWER CABLE

**NOTE: ALL COMPONENTS MAY NOT BE PRESENT. DIAGRAM IS ONLY INTENDED TO SHOW CONNECTION POINTS BETWEEN COMPONENTS**

