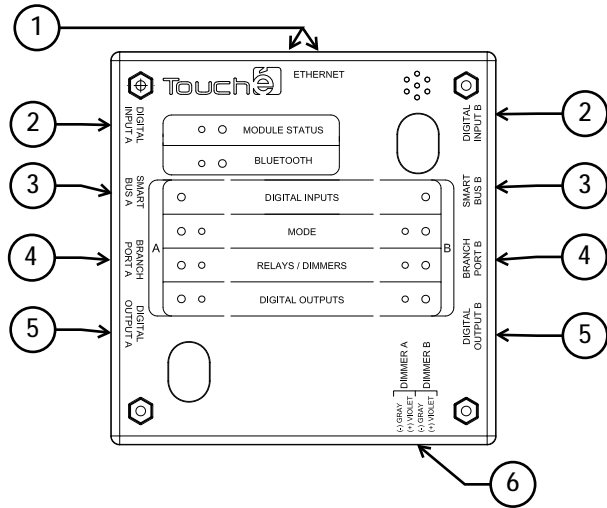
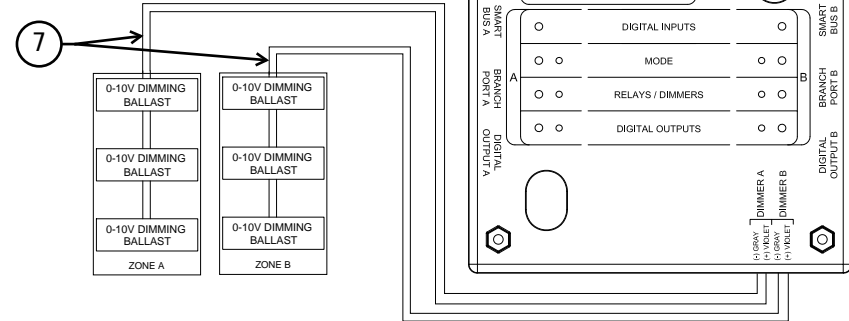


FRONT OF ROOM MANAGER

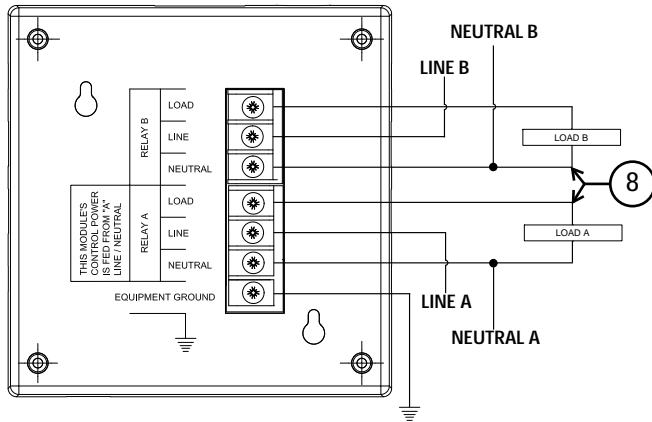


0-10v WIRING

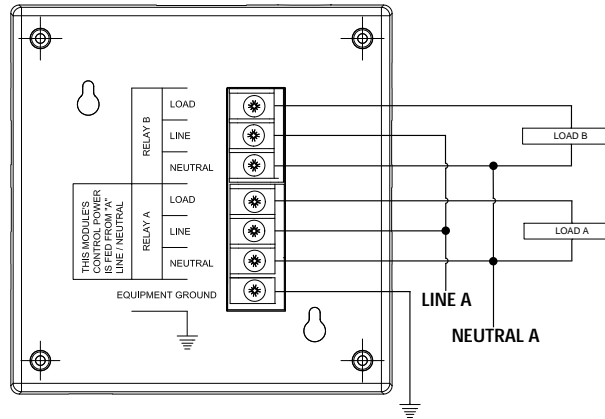
NOTE: 0-10v OUTPUT - CHANNELS A & B - MUST CORRESPOND WITH LOADS A & B



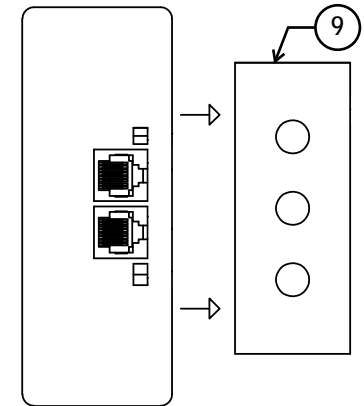
DUAL SOURCE WIRING



SINGLE SOURCE WIRING



MOUNTING

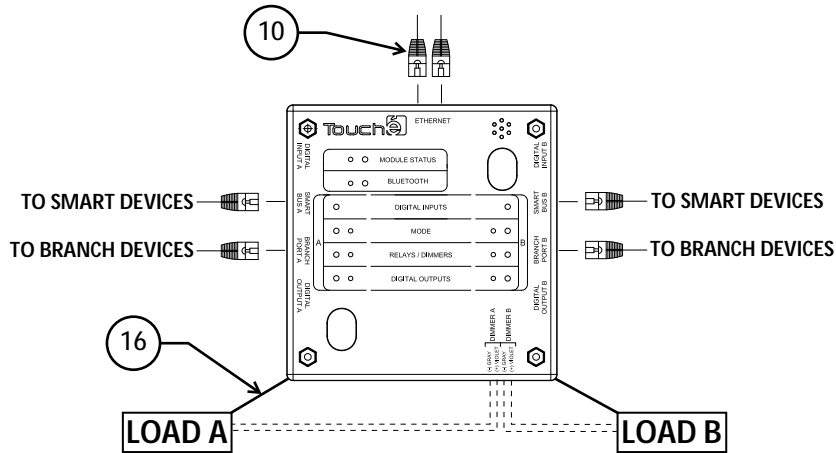


TIPS / NOTES

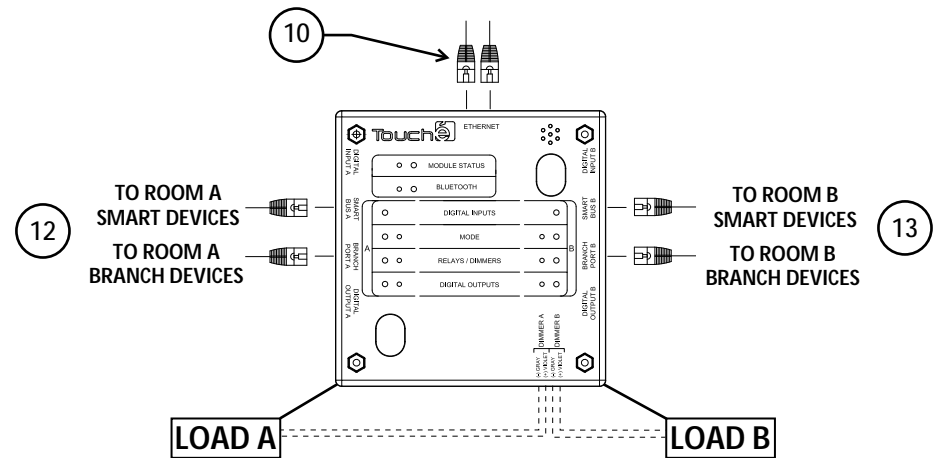
1. TOUCHÉ eNET PORTS - MINIMUM CAT 5 CABLE - DAISY CHAIN CABLE FROM eNET DEVICE TO eNET DEVICE
2. DIGITAL INPUTS - MINIMUM 18/2 CONDUCTOR TO DIGITAL INPUT DEVICE
3. SMART PORTS - MINIMUM CAT 5 CABLE - ONLY CONNECT TO SMART DEVICES - DO NOT CONNECT TO BRANCH DEVICES
4. BRANCH PORTS - MINIMUM CAT 5 CABLE - ENSURE CABLES ARE PLUGGED INTO BRANCH PORTS OF BRANCH DEVICES - DO NOT CONNECT TO SMART DEVICES
5. DIGITAL OUTPUTS - MINIMUM 18/2 CONDUCTOR TO DRY CONTACT

6. 0-10v OUTPUT - CHANNELS A & B - MUST CORRESPOND WITH LOADS A & B
7. 0-10v DIMMING CABLE - SIZE PER BALLAST MFG - RECOMMEND 22GU-16GU
8. IF DUAL SOURCE WIRING, A & B RELAYS CAN BE DIFFERENT VOLTAGES
9. STANDARD 4 SQUARE ELECTRICAL BOX

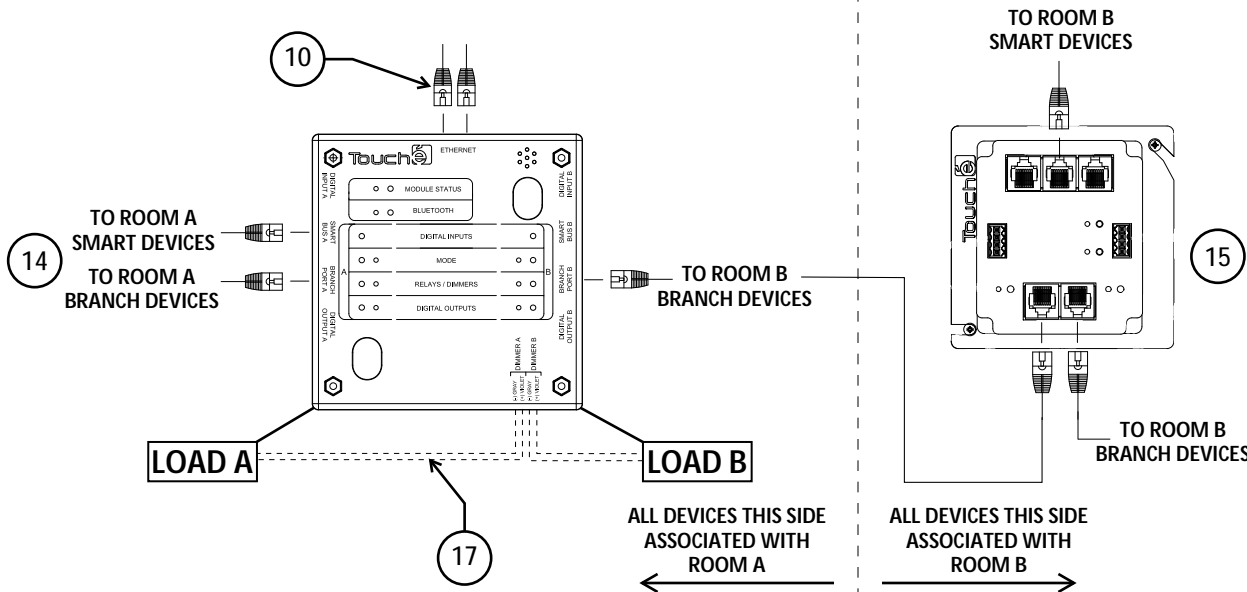
SINGLE ROOM WIRING 11



DUAL ROOM WIRING 1 ZONE PER ROOM



DUAL ROOM WIRING MORE THAN 1 ZONE PER ROOM



TIPS / NOTES

10. TOUCHÉ eNET PORTS - MINIMUM CAT 5 CABLE - DAISY CHAIN CABLE FROM eNET DEVICE TO eNET DEVICE
11. ALL DEVICES WILL BE COMBINED TO CONTROL LOADS A AND B. EITHER ROOM A OR ROOM B SMART AND BRANCH PORTS CAN BE USED
12. ALL DEVICES THAT ARE TO CONTROL LOAD A MUST BE PLUGGED INTO ROOM A SMART AND BRANCH PORTS
13. ALL DEVICES THAT ARE TO CONTROL LOAD B MUST BE PLUGGED INTO ROOM B SMART AND BRANCH PORTS
14. ALL DEVICES THAT ARE TO CONTROL LOADS A AND B OF THE ROOM MANAGER (AND ADDITIONAL LOADS CONNECTED TO ROOM A BRANCH PORT IF APPLICABLE) MUST BE PLUGGED INTO ROOM A SMART AND BRANCH PORTS
15. ALL DEVICES THAT ARE TO CONTROL LOADS A AND B OF THE LRM(S) MUST BE PLUGGED INTO LRM SMART AND BRANCH PORTS OF LRM
16. LINE VOLTAGE WIRING - TYP.
17. 0-10v WIRING TYPICAL

CONNECTIVITY DIAGRAM

COMPONENT LIST

1. MSTR-DVOLT-2 (DOOR OPEN)
2. SBB1
3. LRM OR LIM
4. RD PANEL
5. SW-TS-M
6. SMOAS
7. TSUI
8. RM
9. WS-TS-C
10. SS-2B
11. SS-SF

CABLE LEGEND

- = éNET (CAT5)
- - - - - = BRANCH NETWORK (CAT 5)
- · - · - = SMART NETWORK (CAT 5)
- = 16/2 POWER CABLE

NOTE: ALL COMPONENTS MAY NOT BE PRESENT. DIAGRAM IS ONLY INTENDED TO SHOW CONNECTION POINTS BETWEEN COMPONENTS

