

# PRODUCT DATA SHEET

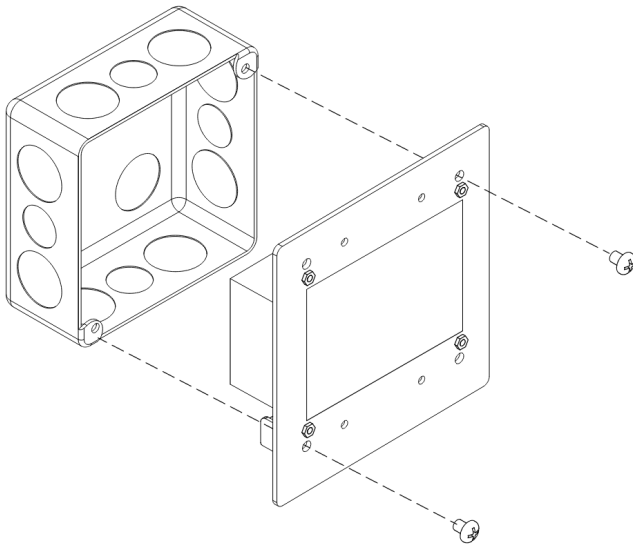
TOUCHÉ CONTROLS



## SINGLE-CHANNEL—DIMMING PACK



Reverse Phase Dimming Pack Shown Here



Mounts to Deep 4" Square Junction Box

### DESCRIPTION

Single-channel dimmer packs provide a convenient and cost-effective solution for line voltage dimming needs when paired up with Touché's Room Managers and Local Relay Modules. These devices convert the 0-10V dimming signal from the Room Manager or Local Relay Module to a phase-cut dimmed output.

### FEATURES

- Dimmer Packs convert individual 0-10V dimming control signals to line voltage, phase-cut dimming.
- Available in forward-phase and reverse-phase control (must be specified at time of order). *Note: forward-phase module is rated at 4A (500W) and reverse-phase module is rated at 2.5A (300W).*
- "Dimmed to Off" allows dimmer pack to completely control the load. Line voltage is not required to pass through the relay on the Room Manager or Local Relay Module—simplifying installation.
- Dimmer Packs control a single channel allowing varying load types to be controlled from a common Room Manager or Local Relay Module.
- Front panel indicators show line source status and dimming status.
- Mounts to a deep 4" x 4" electrical junction box or to a standard depth box with the included extension ring.

Touché Controls (a Product of ESI Ventures)

A: 2085 Humphrey Street, Fort Wayne, IN 46803

T: 888-841-4356

W: [www.ToucheControls.com](http://www.ToucheControls.com)

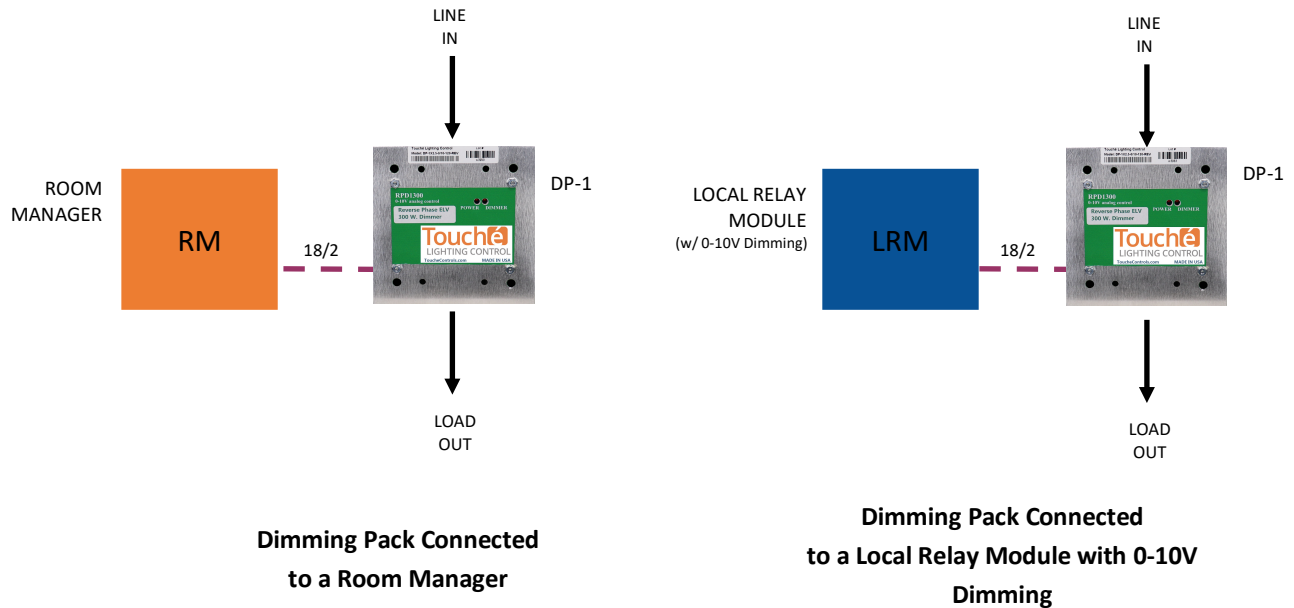
## SPECIFICATIONS

VOLTAGE	120VAC
CONNECTIVITY	2 CONDUCTOR / 18 GAUGE FOR 0-10V SIGNAL
LISTINGS	UL508, cUL508
AMBIENT TEMPERATURE	40C (104F)
MAXIMUM HUMIDITY	10 - 90%, NON-CONDENSING

## CATALOGUE NUMBER

DEVICE TYPE	CHANNEL CONFIG	CONTROL	VOLTAGE	PHASE CONTROL
DP Dimming Pack	1x4 1 Channel - 4A	0/10 0-10 VDC	120 120 VAC	[Blank] Forward
DP Dimming Pack	1x2.5 1 Channel - 2.5A	0/10 0-10 VDC	120 120 VAC	REV Reverse

## CONNECTIVITY



Touché Controls (a Product of ESI Ventures)

A: 2085 Humphrey Street, Fort Wayne, IN 46803

T: 888-841-4356

W: [www.ToucheControls.com](http://www.ToucheControls.com)